

Quectel BC95-G | :B1/B3/B5/B8/B20/B28

Quectel BC28-G | :B1/B3/B5/B8/B20/B28

Interface with controller

**AT commands via UART**

extremely low power

Embedded Internet Services Protocols

Quectel Enhanced AT Commands

**Built-in and external antenna options**



## Main

Range of product	Communication Expansion
Product type	Expansion Module
Rated supply voltage	12 - 24V DC
Field of Application	NB-IoT
Applicable Devices	Sensoper Smart Controls
RF Band	B1 @H-FDD: 2100MHz B3 @H-FDD: 1800MHz B8 @H-FDD: 900MHz B5 @H-FDD: 850MHz B20 @H-FDD: 800MHz B28* @H-FDD: 700MHz
RF Output power	23dBm±2dB
RF Sensitivity	-129dBm±1dB

## Complementary

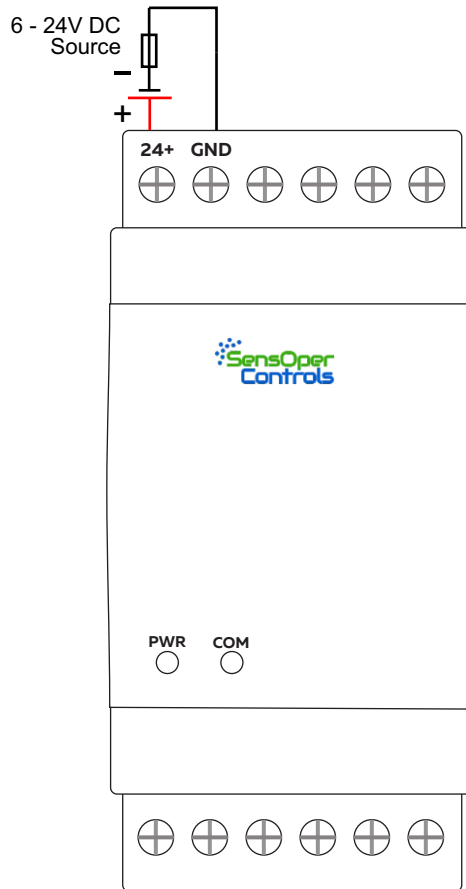
Local signalling	1 LED green for PWR 1 LED green for Communication
Electrical connection	Removable screw terminal block for inputs and outputs (pitch 5.08 mm)
Mounting support	Top hat type TH35-15 rail conforming to IEC 60715 Top hat type TH35-7.5 rail conforming to IEC 60715
Height	86.00 mm
Depth	59.00 mm
Width	35.00 mm
Product weight	0.91 Kg

---

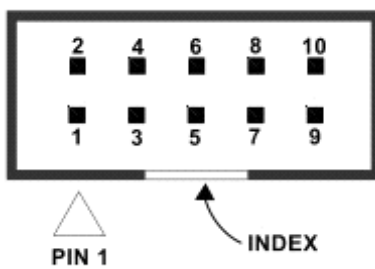
## Environment

Relative humidity	10...95% without condensation in operation
IP degree of protection	IP20
Operating altitude	0...2000m
Storage altitude	0...3000m
Shock resistance	15 gn for 11 ms
Operating temperature	-40 to +85 'C

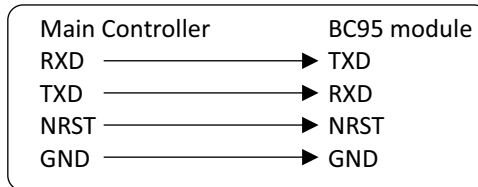
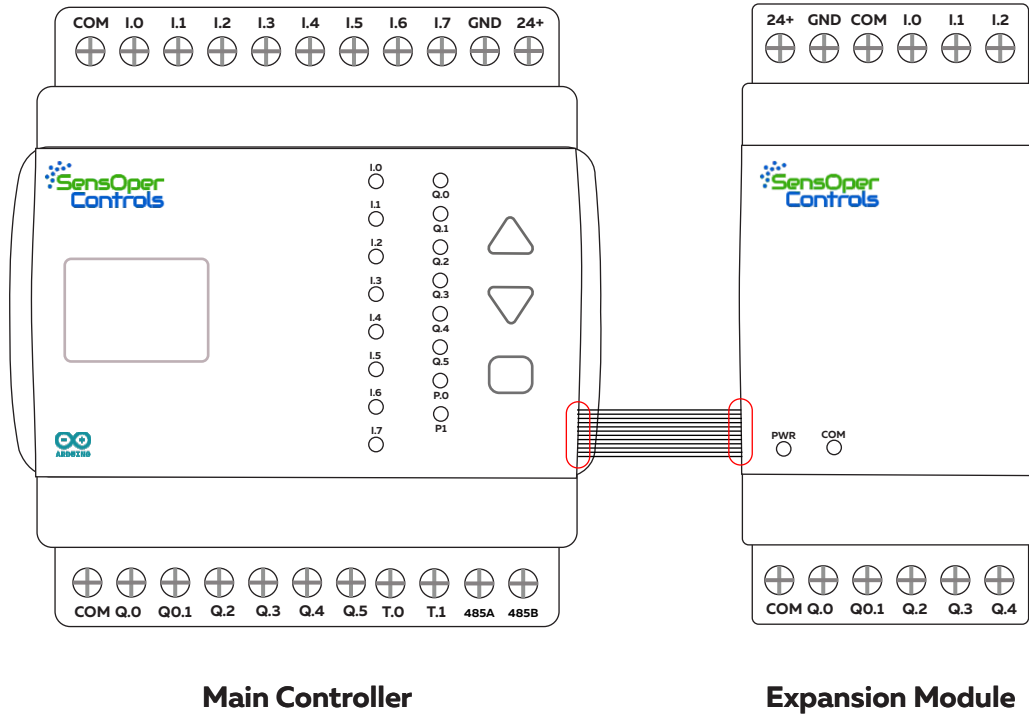
---



### Expansion port pin map



PIN	ESP32 Connection
1	TXD0
2	IO33
3	RXD0
4	Not Connected
5	IO32
6	BOOT IO0
7	SCL IO17
8	Not Connected
9	SDA IO16
10	Ground



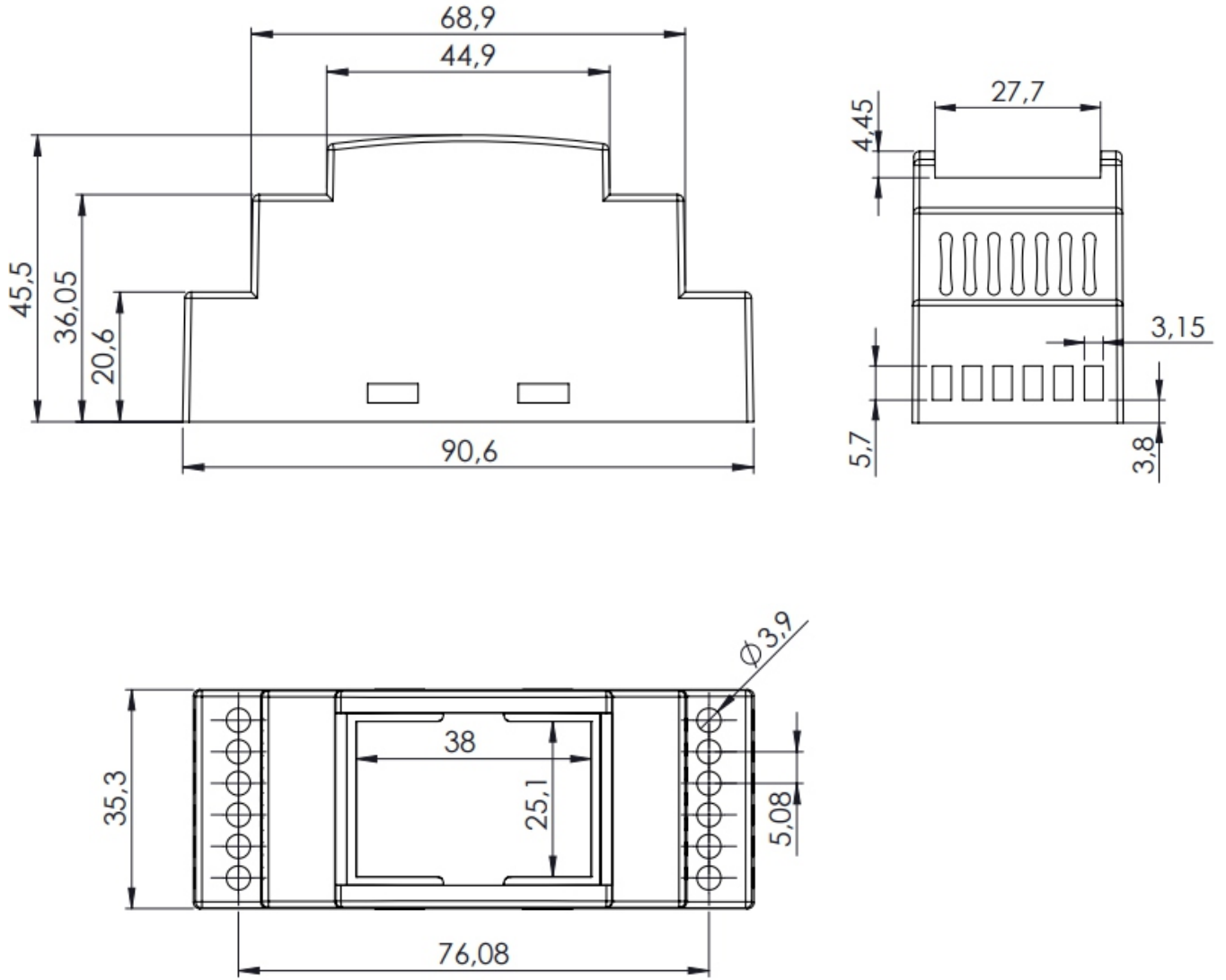
### NB-IoT Module communication

Module Type	QUECTEL BC95-G
Communication	UART
Module Address	NA
Command set	AT
Connection	Smart Controls: UART0 (RXD0, TXD0)

Refer QUECTEL AT Command guide for detailed AT Command Set

<https://www.quectel.com/product/bc95g.htm>

Dimensions





## Reach-Us

### ***Technical Support***

E-mail : [support@sensoper.com](mailto:support@sensoper.com)

### ***Sales Inquiries***

E-mail : [sales@sensoper.com](mailto:sales@sensoper.com)

Web : <https://www.sensoper.com/support/>

### ***Order Online***

<https://www.sensoper.com>