

**SIMCOM SIM7500E | FDD-LTE B1/B3/B7/B8//B20
GSM/GPRS/EDGE 900/1800 MHz**

Interface with controller

AT commands via UART

SMA External antenna



Main

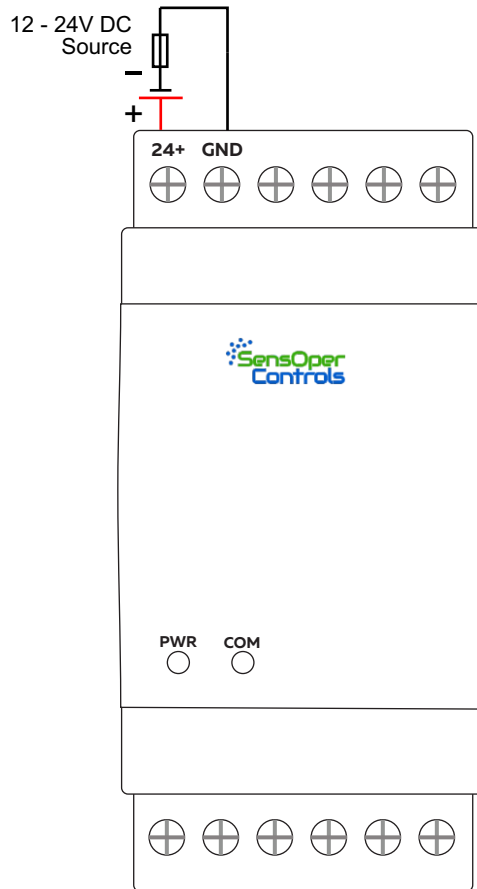
Range of product	Communication Expansion
Product type	Expansion Module
Rated supply voltage	12 - 24V DC
Field of Application	GSM LTE Communication
Applicable Devices	SENSOPER Smart Controls SC-SE-I8-RO6-TO2 SC-SE-I8-TO8 SC-SE-I8-AV6-TO2 SC-SE-I8-AM6-TO2 SC-SE-I6-AV6-TO2 SC-SE-I6-AM6-TO2 SC-SE-I8-AI1
RF Band	FDD-LTE B1/B3/B7/B8//B20 GSM/GPRS/EDGE 900/1800 MHz
RF Output power	23dBm±2dB
RF Sensitivity	-129dBm±1dB

Complementary

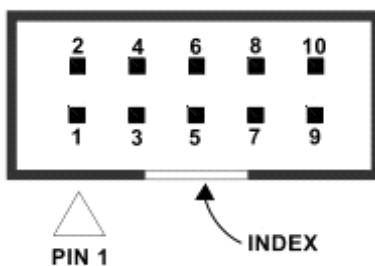
Local signalling	1 LED green for PWR 1 LED green for Communication
Electrical connection	Removable screw terminal block for inputs and outputs (pitch 5.08 mm)
Mounting support	Top hat type TH35-15 rail conforming to IEC 60715 Top hat type TH35-7.5 rail conforming to IEC 60715
Height	86.00 mm
Depth	59.00 mm
Width	35.00 mm
Product weight	0.12 Kg

Environment

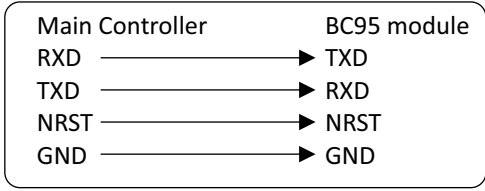
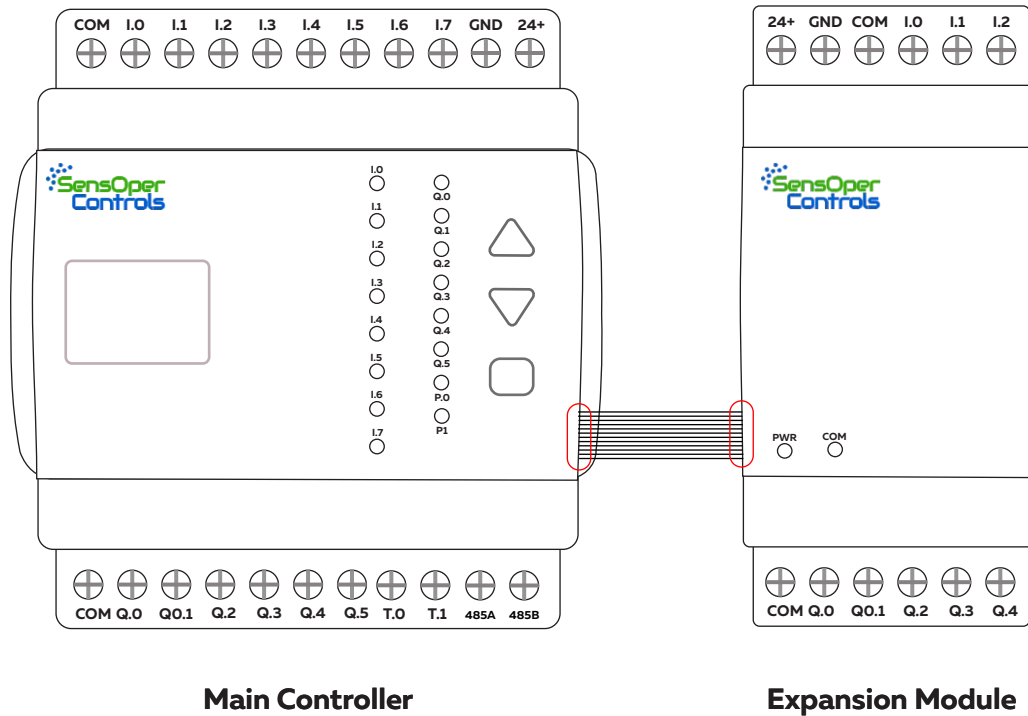
Relative humidity	10....95% without condensation in operation
IP degree of protection	IP20
Operating altitude	0...2000m
Storage altitude	0...3000m
Shock resistance	15 gn for 11 ms
Operating temperature	-40 to +85 'C



Expansion port pin map



PIN	ESP32 Connection
1	TXD0
2	IO33
3	RXD0
4	Not Connected
5	IO32
6	BOOT IO0
7	SCL IO17
8	Not Connected
9	SDA IO16
10	Ground

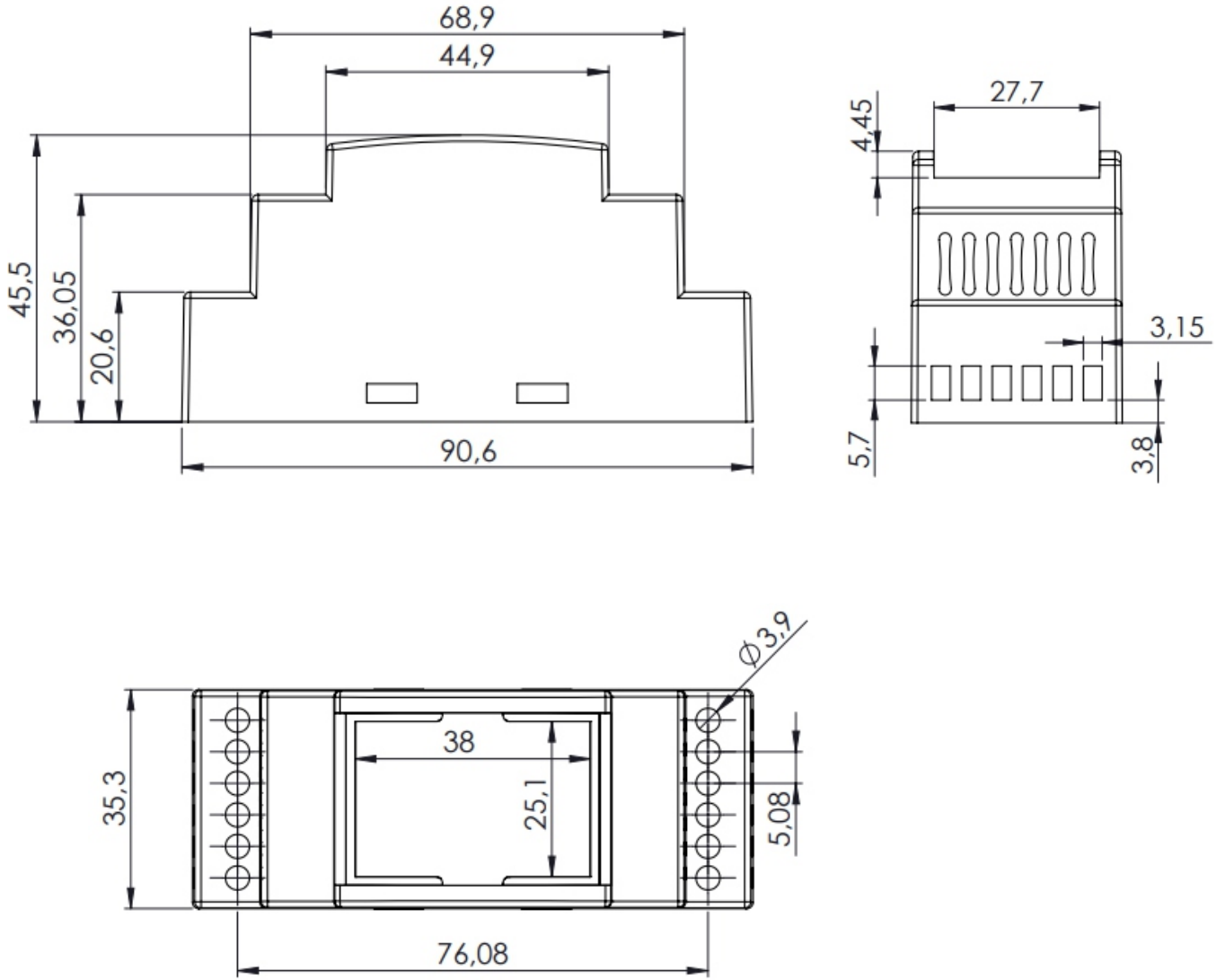


SIM7500E Module communication

Module Type	SIM7500E
Communication	UART
Module Address	NA
Command set	AT
Connection	Smart Controls: UART0 (RXD0, TXD0)

Refer SIMCOM AT Command guide for detailed AT Command Set

Dimensions





Reach-Us

Technical Support

E-mail : support@sensoper.com

Sales Inquiries

E-mail : sales@sensoper.com

Web : <https://www.sensoper.com/support/>

Order Online

<https://www.sensoper.com>